

The S33 Desk Stand is a high quality stable base intended for use with Models 333, 525 and 300 Studio Microphones, and any Microphone using the A-25 type Swivel Adapter.

The S33B Desk Stand is intended for use with the Model 530, 535, 545, 546, 556S, 415, 425, 430 and 330 Microphones. The S33 and S33B Desk Stands are identical except for the finish—the S33 is "Grayje" enamel and the S33B is black enamel.

Models 333, 330, 300, 546 and 556S Microphones have a cable connector which is assembled to the base as shown in Figure 1. Models 415, 430, 525, 530, 535 and 545 utilize the A25 type Swivel Adapter which is assembled to the base as shown in Figure 2.

TO ASSEMBLE, PROCEED AS FOLLOWS:

1. Screw aluminum extension shaft "A" into bottom of the microphone connector or swivel adapter. Tighten securely. (NOTE: As an aid for tightening or loosening insert a metal rod or a large nail through the cross hole in the shaft.)
2. Remove the thumb-screw "B" which is stored in tapped hole under stand. Insert microphone or swivel adapter, with aluminum shaft attached, into desk stand. Screw the thumb-screw tightly into the bottom of the shaft. This locks the microphone to the desk stand.

To provide easy and quick removal of the Models 333, 300, 330, 546 and 556S Microphones so that they may be used as a hand carried unit, do NOT fasten the large thumb-screw into the bottom of the adapter shaft. Leave the large thumb-screw stored on the under side of the desk stand as originally shipped.

The Models 415, 430, 525, 530, 535 and 545 slip easily out of the swivel adapter for use as hand carried units.

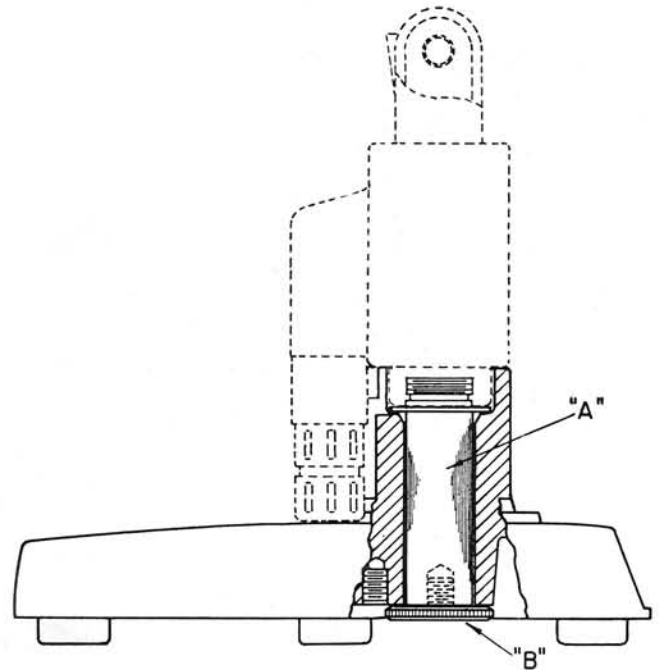


FIGURE 1

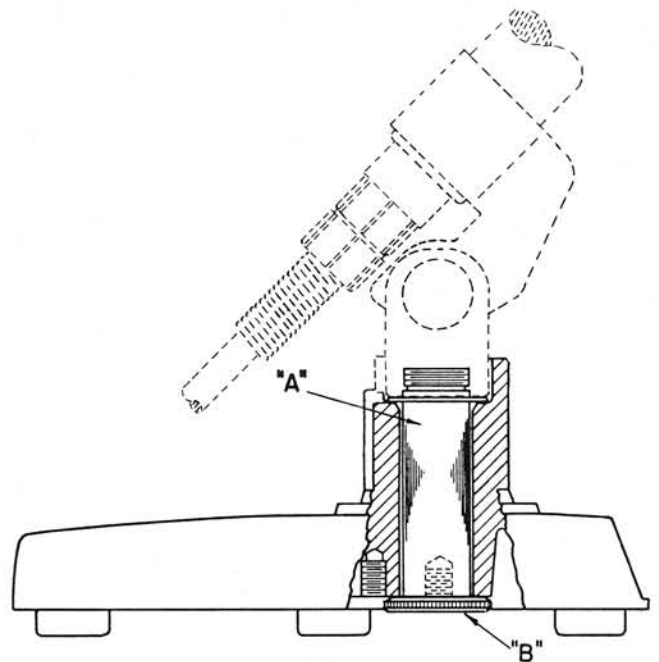


FIGURE 2